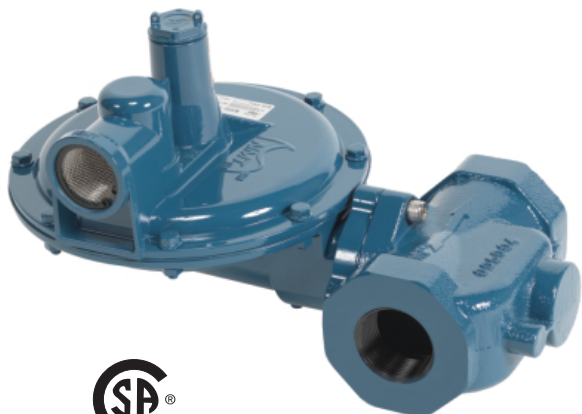




# NGR04 Series

PRESSURE REDUCING REGULATORS  
for Residential, Commercial or Industrial Applications



The NGR04 Series spring loaded gas regulators with internal relief provide consistent and controlled pressure in a variety of residential, industrial and commercial applications. The NGR04 is fully certified to ANSI Z21.80/CSA 6.22 for Class I, Class II, Vent Limiting and OPD (Overpressure Protection Device) applications and are designed to be used in many applications where non-corrosive dry gases are used.

## FEATURES

- **ANSI Z21.80/CSA 6.22 CERTIFIED**
- Vent Limiting Option
- Internal Relief - OPD
- Outlet pressures up to 3 psig
- Conforms to ANSI B109.4
- Corrosion resistant exterior
- Inlet pressure tap standard

## SPECIFICATIONS

Pipe Sizes:	1-1/4" NPT to 3" FL
Gas Types:	Natural Gas, LPG, other non-corrosive dry gases
Maximum Inlet Pressure:	10 to 125 psig per Orifice
Outlet Pressure Range:	3"w.c. to 3 psig
Maximum Emergency Inlet Pressure:	175 psig
Operating Temp:	-40F - +140F
Materials:	Housing: Epoxy Coated Aluminum
	Valve Body: Cast Iron
	Diaphragm/Valve Seat: Buna N
	Orifice: High Strength Brass

# NGR04 Series PRESSURE REDUCING REGULATORS

## 7" w.c. Set Point - 1" Pressure Drop

Inlet Pressure	ORIFICE					
	1/4"	3/8"	1/2"	5/8"	3/4"	7/8"
1	377	740	1013	1039	2065	2078
2	623	1140	1636	1818	3740	3896
3	805	1299	2143	2961	4948	5610
5	935	2104	4403	5000	6935	8571
8	1325	3000	5844	6429	9195	10987
10	1558	3299	6390	7052	10286	11065
15	2026	3896	8104	8571		
25	2610	4156	11610			
35	3195	4909				
50	4286	5961				
75	6234					
100	7247					
125	9399					

Gray S04B and 2" VB used to develop table

## 14" w.c. Set Point - 2" Pressure Drop

Inlet Pressure	ORIFICE					
	1/4"	3/8"	1/2"	5/8"	3/4"	7/8"
1	370	690	780	820	1120	2340
2	603	1090	1150	1280	1860	2420
3	780	1560	2100	2340	2960	4130
5	1170	2490	2540	3150	5060	5450
8	1400	3300	4200	4350	7950	9970
10	1630	3500	5760	6450	10120	13170
15	2030	4900	8330	9580		
25	2730	6380	11680			
35	3500	7950				
50	4600	10360				
75	5900					
100	6880					
125	9579					

Silver S04E and 2" VB used to develop table

## 1 psig Set Point (HP) - 20% Pressure Drop

Inlet Pressure	ORIFICE					
	1/4"	3/8"	1/2"	5/8"	3/4"	7/8"
1						
2	468	545	623	701	1247	1870
3	623	779	1091	1169	2182	2727
5	935	1091	1948	1955	3506	4052
8	1247	1558	2883	3117	5143	6857
10	1403	2026	3896	3974	6701	8727
15	1870	2416	6390	7169		
25	2649	6234	9896			
35	3117	7870				
50	4442	9800				
75	6449					
100	8374					
125	10367					

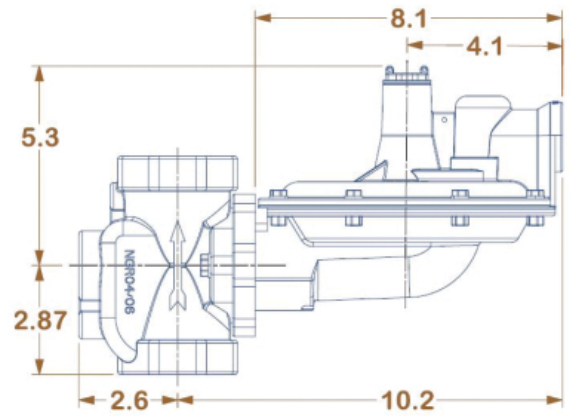
Red/Gray (HP) S04F and 2" VB used to develop table

## 2 psig Set Point (HP) - 20% Pressure Drop

Inlet Pressure	ORIFICE					
	1/4"	3/8"	1/2"	5/8"	3/4"	7/8"
1						
2						
3	623	1013	1403	1714	2104	2260
5	857	1870	2104	2805	3429	3974
8	1169	2494	3584	4753	5900	5922
10	1403	3506	4519	5688	6234	7325
15	1792	4442	6545	8104		
25	2649	6312	9351			
35	3351	7792				
50	4442	9740				
75	6548					
100	8517					
125	10538					

White (HP) S0204E and 2" VB used to develop table

Model	Pipe Size	Vent (NPT)	Wt. (lb)
NGR04	1-1/4", 1-1/2", 2"	1"	10.75
	2" FL		21.55
	3" FL		28.80

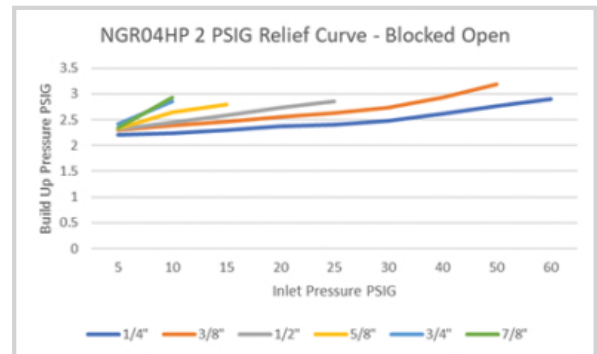
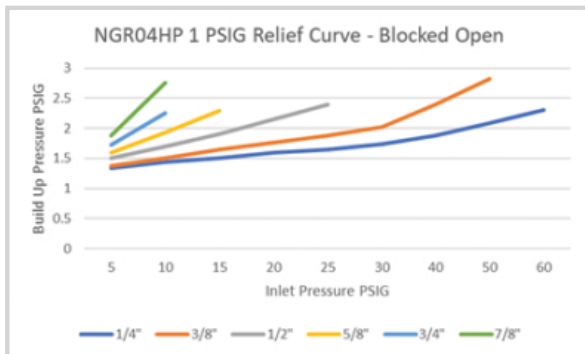
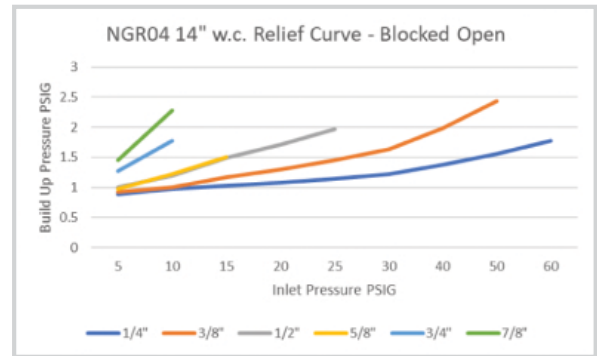
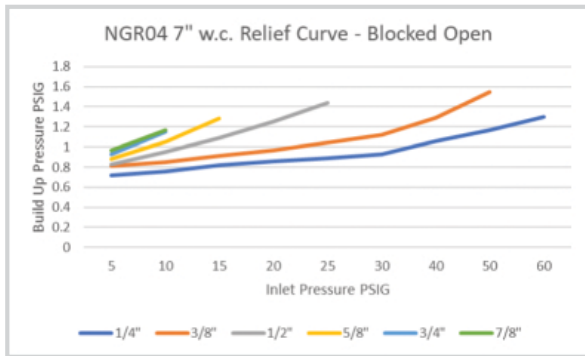


Flange to Flange (2" & 3"): 10"

Orifice Max Pressure		
Size	Max Inlet Pressure	P/N
1/4"	125 psig	F0406A
3/8"	50 psig	F0406B
1/2"	25 psig	F0406C
5/8"	15 psig	F0406D
3/4"	10 psig	F0406E
7/8"	10 psig	F0406F

Spring Chart		
Color	Outlet Range	P/N
Brown	3"wc - 7"wc	S04A
Gray	4"wc - 13"wc	S04B
Black	9"wc - 14"wc	S04C
Blue	9"wc - 15"wc	S04D
Silver	12"wc - 20"wc	S04E
Red/Gray (HP)	13"wc - 28"wc	S04F
Yellow (HP)	1psig - 2psig	S04G
Red (HP)	1psig - 2.5psig	S04H
White (HP)	1psig - 3psig	S0204E

Gas Type	Specific Gravity	Correction Factor (CF)
Natural Gas	0.60	1.00
Propane	1.53	0.63
Air	1.00	0.77
Propane-Air-Mix	1.20	0.71
Nitrogen	0.97	0.79
Butane	2.01	0.55
Carbon Dioxide (Dry)	1.52	0.63
Carbon Monoxide (Dry)	0.97	0.79



Blocked open relief curves developed using a 3/32" blockage across valve seat. Lever disconnect curves available upon request. Individual results may vary.